

# FANUC Robot CRX series



**CRX-5iA**

**CRX-10iA**

**CRX-10iA/L**

**CRX-20iA/L**

**CRX-25iA**

## Safety

- **Contact Stop**

Safely stops with only a light contact with humans

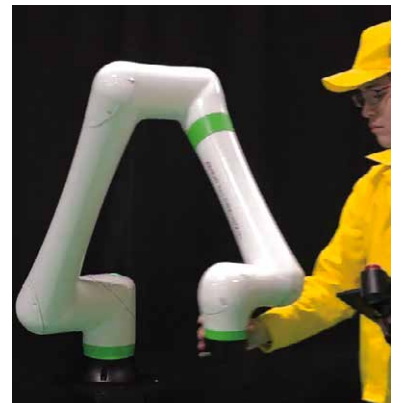


Safety certified to ISO 10218-1  
(Including ISO/TS15066)

## Ease of Use

- **Manual Guided Teach**

Intuitive and responsive manual guided teach



- **Many intelligent functions**

Latest intelligent functions, such as built-in vision and force sensors, are available

# Ease of Use

## • Plugin peripheral devices

- CRX Plugin compatible devices are listed on the FANUC web site with links to the device suppliers web site.
- The device suppliers can provide their custom menu and custom icons as plugin software.



Custom menu



Custom icons

## • Tablet TP

New Tablet TP Interface



Easy operation focusing on simple functions

iPendant Interface



Full specifications

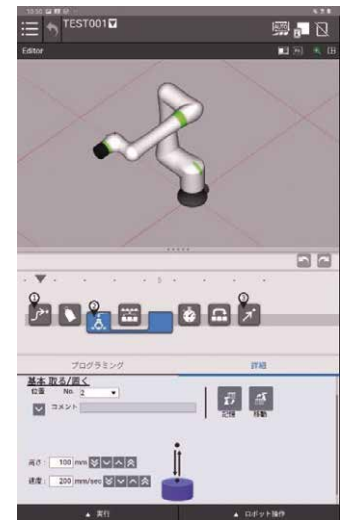
## • Icon based programming

New intuitive touch panel user interface



Timeline

• Drag & drop icons to the timeline to teach



• Touch icons in the timeline to show details  
• Modify parameters for commands

# High Reliability

## • Lifetime Maintenance



- FANUC keeps providing services as long as the customers continue to use our products.
- FANUC stores sufficient spare parts of even discontinued products.

## • Maintenance-Free (for 8 years)

- Motors, reducers, sensors, cables, grease, etc.

## • Service First

FANUC service team delivers customer trust and confidence based on direction of service "Maximizing Uptime", "Global Service" and "Lifetime maintenance".

**Service First**

Conforming to the spirit of "Service First", FANUC provides lifetime maintenance to its products for as long as they are used by customers, through more than 270 service locations supporting more than 100 countries and regions throughout the world.

**Maximizing Uptime**

Global Service  Lifetime Maintenance

- Service and support network all over the world

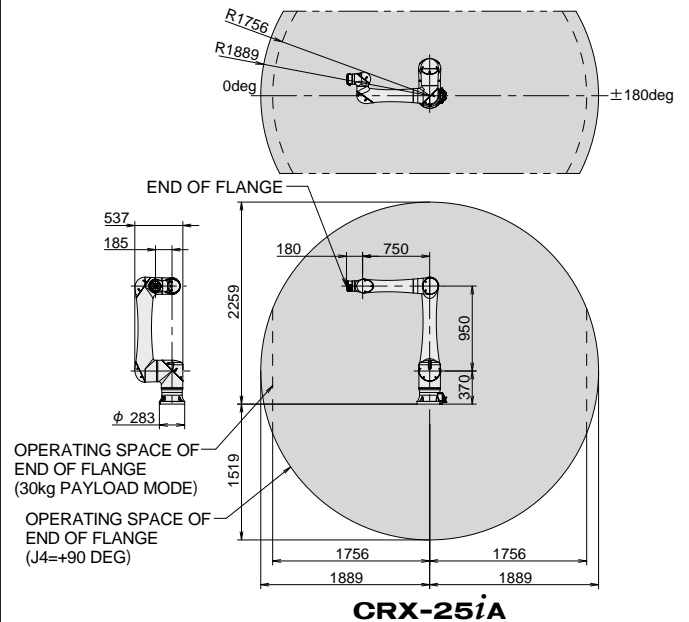
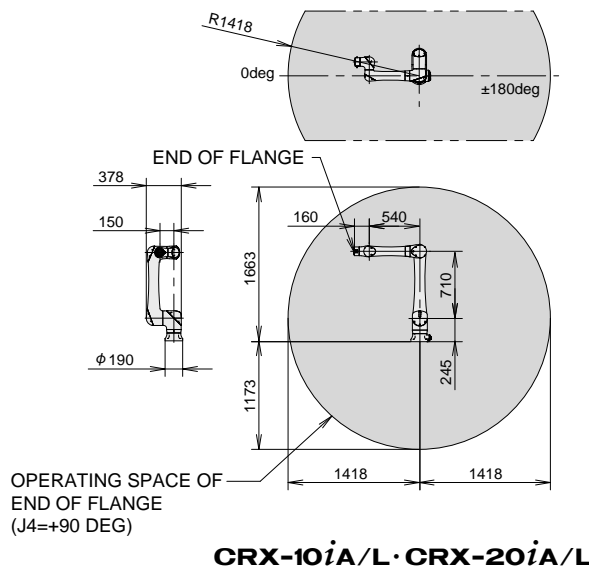
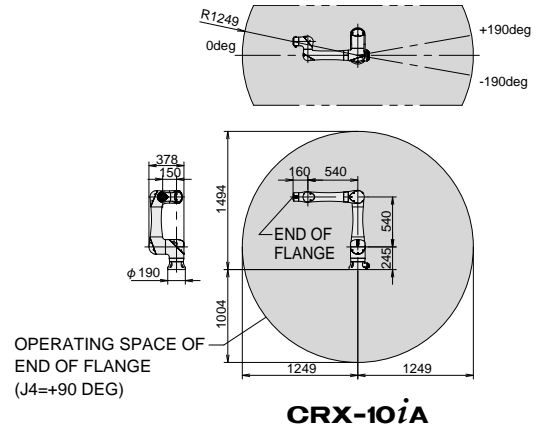
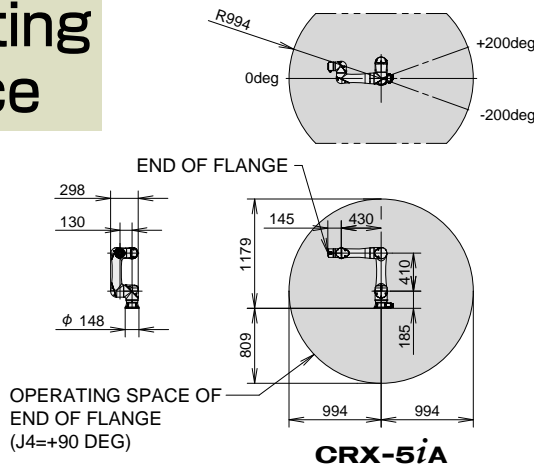
# Lightweight Mechanical Unit

## • Easy and safe installation

- Lifting and Installation by two people without requiring lifting equipment (CRX-25iA is not included)



## Operating Space



| Model                                |                             | CRX-5iA  | CRX-10iA               | CRX-10iA/L             | CRX-20iA/L                 | CRX-25iA                   |
|--------------------------------------|-----------------------------|--|------------------------|------------------------|----------------------------|----------------------------|
| Type                                 |                             | 6 axes (J1, J2, J3, J4, J5, J6)  |                        |                        |                            |                            |
| Reach                                |                             | 994 mm   | 1249 mm                | 1418 mm                | 1418 mm                    | 1889 mm (1756mm Note 7)    |
| Installation (Note 1)                |                             | Floor, Upside-down, Angle mount  |                        |                        |                            |                            |
| Maximum speed (Note 2, 3)            | Colaborative mode           | 1000 mm/s  | 1000 mm/s              | 1000 mm/s              | 1000 mm/s                  | 1000 mm/s                  |
|                                      | High speed mode             | 2000 mm/s  | 2000 mm/s              | 2000 mm/s              | 2000 mm/s                  | 2000 mm/s                  |
| Max. load capacity at wrist          |                             | 5 kg   | 10 kg                  | 20 kg                  | 25 kg (30kg Note 7)        | 25 kg (30kg Note 7)        |
| Allowable load moment at wrist       | J4 axis                     | 19.0 Nm  | 34.8 Nm                | 70.0 Nm                | 100.0 Nm (115.0 Nm Note 8) | 100.0 Nm (115.0 Nm Note 8) |
|                                      | J5 axis                     | 15.4 Nm  | 26.0 Nm                | 64.0 Nm                | 85.0 Nm                    | 85.0 Nm                    |
|                                      | J6 axis                     | 6.7 Nm   | 11.0 Nm                | 30.0 Nm                | 32.0 Nm                    | 32.0 Nm                    |
| Allowable load inertia at wrist      | J4 axis                     | 0.77 kg·m <sup>2</sup>   | 1.28 kg·m <sup>2</sup> | 4.00 kg·m <sup>2</sup> | 4.70 kg·m <sup>2</sup>     | 4.70 kg·m <sup>2</sup>     |
|                                      | J5 axis                     | 0.50 kg·m <sup>2</sup>   | 0.90 kg·m <sup>2</sup> | 2.00 kg·m <sup>2</sup> | 2.00 kg·m <sup>2</sup>     | 2.00 kg·m <sup>2</sup>     |
|                                      | J6 axis                     | 0.10 kg·m <sup>2</sup>   | 0.30 kg·m <sup>2</sup> | 0.30 kg·m <sup>2</sup> | 0.30 kg·m <sup>2</sup>     | 0.30 kg·m <sup>2</sup>     |
| Repeatability (Note 4)               |                             | ±0.03 mm   | ±0.04 mm               | ±0.04 mm               | ±0.04 mm                   | ±0.05 mm                   |
| Mass (Note 5)                        |                             | 25 kg  | 40 kg                  | 41 kg                  | 135 kg                     | 135 kg                     |
| Noise (Note 6)                       |                             | 70 dB or less  |                        |                        |                            |                            |
| Degree of protection                 |                             | IP67   |                        |                        |                            |                            |
| Installation environment             |                             | Ambient temperature : 0 to 45°C<br>Ambient humidity : Normally 75%RH or less (No condensation allowed)<br>: Short term (Within one month) 95%RH or less (No condensation allowed)<br>Vibration acceleration : 4.9m/s <sup>2</sup> (0.5G) or less |                        |                        |                            |                            |
| Matching controller R-30iB Mini Plus | Rated Voltage               | AC 100-120V, AC200-240V Single phase +10% -15%, 50/60Hz  |                        |                        |                            |                            |
|                                      | Input power source capacity | 1.5 kVA  |                        |                        |                            |                            |
|                                      | Mass of controller          | 20 kg  |                        |                        |                            | 22 kg                      |
|                                      | Dimensions (WxDxH)          | 410x277x370 mm   |                        |                        |                            |                            |
|                                      | Degree of protection        | IP54   |                        |                        |                            |                            |

Note 1) Angle mount needs motion range restriction according to with the payload. (CRX-5iA)  
 Note 2) During short distance motions, the axis speed may not reach the maximum value stated.  
 Note 3) It is necessary to set a motion speed according to risk assesment of system.  
 Note 4) Compliant with ISO9283.  
 Note 5) Without controller.

Note 6) This value is equivalent continuous A-weighted sound pressure level, which applied with ISO11201(EN31201). This value is measured with the following conditions.  
 - Maximum load and speed  
 - Operating mode is AUTO

Note 7) The operating space is restricted when 30kg payload mode is selected. (CRX-25iA)  
 Note 8) J4-axis allowable load moment when 30kg payload mode is selected. (CRX-25iA)

# Food Grade Variant

- Food grade variant is supported for all models.



**CRX-5iA**

**CRX-10iA**

**CRX-10iA/L**

**CRX-20iA/L**

**CRX-25iA**

## FANUC WEB Site



# FANUC CORPORATION

- Overseas Affiliated Companies
- FANUC America Corporation
- FANUC Europe Corporation, S.A.
- SHANGHAI-FANUC Robotics CO., LTD.
- KOREA FANUC CORPORATION
- TAIWAN FANUC CORPORATION
- FANUC INDIA PRIVATE LIMITED
- FANUC SINGAPORE PTE. LTD.
- FANUC THAI LIMITED
- FANUC MECHATRONICS (MALAYSIA) SDN. BHD.
- PT. FANUC INDONESIA
- FANUC OCEANIA PTY. LIMITED
- FANUC SOUTH AFRICA (PROPRIETARY) LIMITED

Phone: (+1)248-377-7000  
 Phone: (+352)727777-1  
 Phone: (+86)21-5032-7700  
 Phone: (+82)55-278-1200  
 Phone: (+886)4-2359-0522  
 Phone: (+91)80-2852-0057  
 Phone: (+65)6567-8566  
 Phone: (+66)2-714-6111  
 Phone: (+60)3-3082-1222  
 Phone: (+62)21-4584-7285  
 Phone: (+61)2-8822-4600  
 Phone: (+27)11-392-3610

<https://www.fanucamerica.com/>  
<https://www.fanuc.eu/>  
<https://www.shanghai-fanuc.com.cn/>  
<https://www.fkc.co.kr/>  
<https://www.fanuctaiwan.com.tw/>  
<https://www.fanucindia.com/>  
<https://www.fanuc.com/fsp/>  
<https://www.fanuc.com/fth/>  
<https://www.fanuc.com/fmm/>  
<https://www.fanuc.com/fin/>  
<https://www.fanucoceania.com.au/>  
<https://fanuc.co.za/>

- Headquarters 3580, Shibokusa, Oshino-mura, Minamitsuru-gun Yamanashi, 401-0597, JAPAN
- Phone: (+81)555-84-5555 <https://www.fanuc.co.jp/>

• All specifications are subject to change without notice.  
 • No part of this catalog may be reproduced in any form.  
 • The products in this catalog are controlled based on Japan's "Foreign Exchange and Foreign Trade Law". The export from Japan may be subject to an export license by the government of Japan. Further, re-export to another country may be subject to the license of the government of the country from where the product is re-exported. Furthermore, the product may also be controlled by re-export regulations of the United States government. Should you wish to export or re-export these products, please contact FANUC for advice.