

FANUC Robot P-1000iA



FEATURES

FANUC Robot P-1000iA is a paint robot with 15kg payload capacity with a large motion range and 7 axes.

- With 7degrees of freedom, painting work can be done efficiently in a limited space. The paint booth can be drastically reduced with a flexible layout.
- P-1000iA has a hollow wrist structure which is easy with piping. Paint control and color valves can be installed inside the arm, realizing reduced purge time and paint waste.
- It also supports electrostatic painting of waterborne paint, 1K and 2K solvent paints.
- It can be controlled from one controller in combination with the hood opener robot, P-35iA, and the door opener robot, P-20iB.
- FANUC's ZDT(Zero Down Time) package, which monitors and protects mechanical parts and painting process equipment is available. (option)

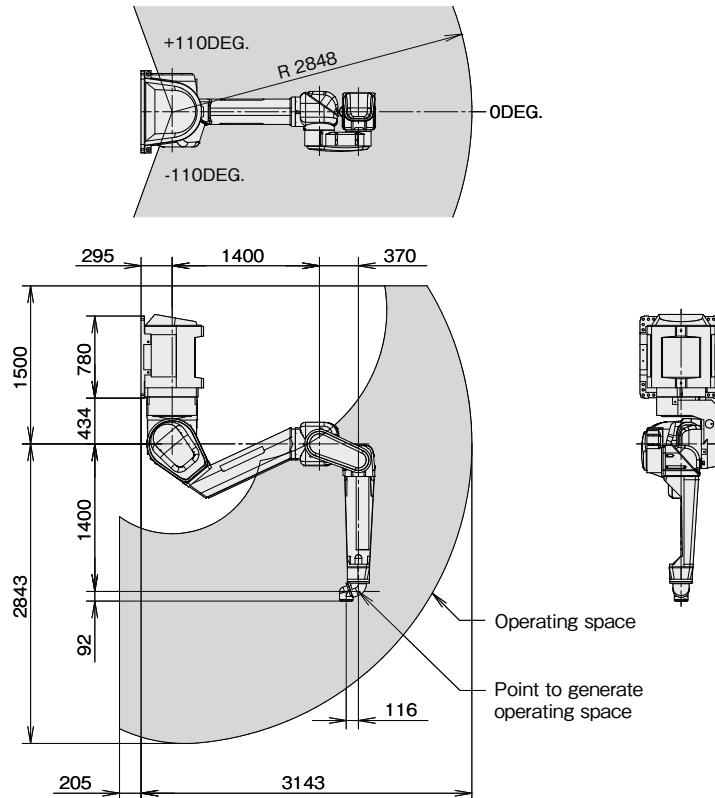
Application Examples



Hood opener P-35iA



Body painting by P-1000iA and door opener P-20iB



Specifications

Model		P-1000iA	
Type		Articulated Type	
Controlled axes		7 axes (J1,J2,J3,J4,J5,J6,J7)	
Reach		2848 mm	
Installation		Wall mount	
Motion range (Maximum speed) (Note 1)	J1 axis rotation	220° (125°/s)	3.84 rad (2.18 rad/s)
	J2 axis rotation	150° (125°/s)	2.62 rad (2.18 rad/s)
	J3 axis rotation	240° (120°/s)	4.19 rad (2.09 rad/s)
	J4 axis rotation	144.8° (120°/s)	2.53 rad (2.09 rad/s)
	J5 axis rotation	1440° (200°/s)	25.13 rad (3.49 rad/s)
	J6 axis rotation	1440° (200°/s)	25.13 rad (3.49 rad/s)
	J7 axis rotation	1440° (200°/s)	25.13 rad (3.49 rad/s)
Max. load capacity at wrist		10 kg (1500 mm/s), 15 kg (1200 mm/s)	
Max. load capacity on J2 arm		15 kg	
Max. load capacity on J4 arm		25 kg	
Allowable load moment at wrist	J5 axis	68 N·m	6.9 kgf·m
	J6 axis	57 N·m	5.8 kgf·m
	J7 axis	7.4 N·m	0.76 kgf·m
Allowable load inertia at wrist	J5 axis	3.2 kg·m ²	32.7 kgf·cm·s ²
	J6 axis	2.2 kg·m ²	22.4 kgf·cm·s ²
	J7 axis	0.07 kg·m ²	0.71 kgf·cm·s ²
Drive method		Electric servo drive by AC servo motor	
Repeatability		± 0.5 mm	
Mass (Note 2)		700 kg	
Installation environment		Ambient temperature : 0 - 45°C Ambient humidity : Normally 75%RH or less (No dew nor frost allowed) Short term Max 95%RH or less (within one month) Vibration acceleration : 4.9 m/s ² (0.5G) or less	

Note 1) During short distance motions, the axis speed may not reach the maximum value stated.

Note 2) Without controller.

FANUC CORPORATION

•Headquarters Oshino-mura, Yamanashi 401-0597, Japan
Phone: (+81)555-84-5555 <https://www.fanuc.co.jp/>

- Overseas Affiliated Companies
- FANUC America Corporation
- FANUC Europe Corporation, S.A.
- SHANGHAI-FANUC Robotics CO., LTD.
- KOREA FANUC CORPORATION
- TAIWAN FANUC CORPORATION
- FANUC INDIA PRIVATE LIMITED
- FANUC SINGAPORE PTE. LTD.
- FANUC THAI LIMITED
- FANUC MECHATRONICS (MALAYSIA) SDN. BHD.
- PT. FANUC INDONESIA
- FANUC OCEANIA PTY. LIMITED
- FANUC SOUTH AFRICA (PROPRIETARY) LIMITED

- Phone: (+1)248-377-7000
- Phone: (+352)727777-1
- Phone: (+86)21-5032-7700
- Phone: (+82)55-278-1200
- Phone: (+886)4-2359-0522
- Phone: (+91)80-2852-0057
- Phone: (+65)6567-8566
- Phone: (+66)2-714-6111
- Phone: (+60)3-3082-1222
- Phone: (+62)21-4584-7285
- Phone: (+61)2-8822-4600
- Phone: (+27)11-392-3610

- <https://www.fanucamerica.com/>
- <https://www.fanuc.eu/>
- <https://www.shanghai-fanuc.com.cn/>
- <https://www.fkc.co.kr/>
- <https://www.fanuctaiwan.com.tw/>
- <https://www.fanucindia.com/>
- <https://www.fanuc.com/fsp/>
- <https://www.fanuc.com/fth/>
- <https://www.fanuc.com/fmm/>
- <https://www.fanuc.com/fin/>
- <https://www.fanucoceania.com.au/>
- <https://fanuc.co.za/>

- All specifications are subject to change without notice.
- No part of this catalog may be reproduced in any form.
- The products in this catalog are controlled based on Japan's "Foreign Exchange and Foreign Trade Law". The export from Japan may be subject to an export license by the government of Japan. Further, re-export to another country may be subject to the license of the government of the country from where the product is re-exported. Furthermore, the product may also be controlled by re-export regulations of the United States government. Should you wish to export or re-export these products, please contact FANUC for advice.