

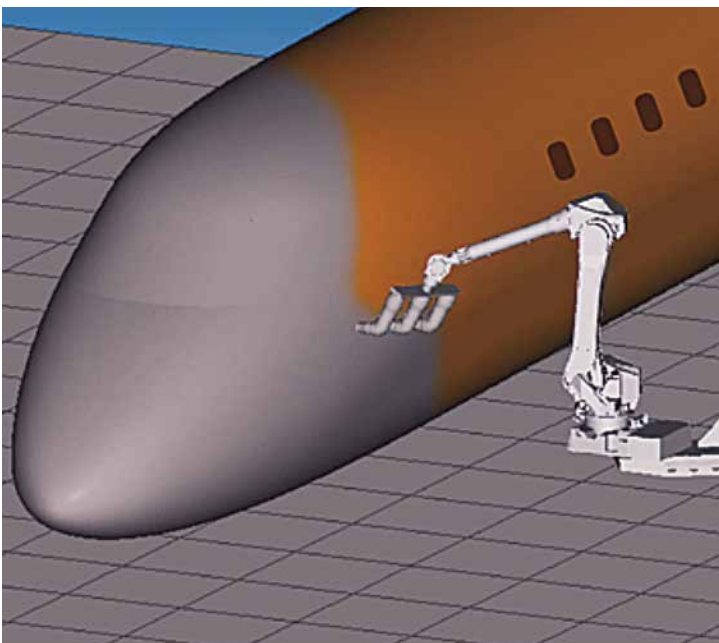
# FANUC Robot P-350iA/45



## FEATURES

- The FANUC Robot P-350iA/45 is a heavy payload paint robot with a 45kg payload capacity.
- It can be used in Zone 1 hazardous areas due to its high Equipment Protection Level Gb rating.
- Its heavy payload capacity, the largest of any explosion protected robot, makes the FANUC Robot P-350iA/45 ideally suited for a variety of large size painting tool equipping multiple applicators.
- The explosion protected purged motor box (option) simplifies the engineering of explosion protected robot peripherals such as rails or fixture rotators.
- Offline programming with FANUC's process focused PaintPro Software in ROBOGUIDE (option) drastically reduces programming time - saving time and engineering costs.

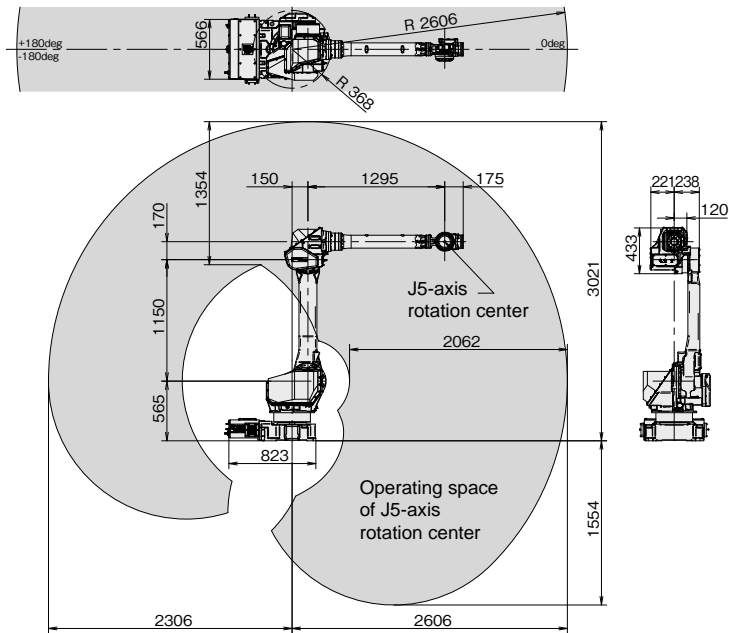
## Application Example



Aircraft fuselage painting



Furniture parts painting



## Specifications

Model		P-350iA/45	
Type		Articulated Type	
Controlled axes		6 axes (J1,J2,J3,J4,J5,J6)	
Reach		2606 mm	
Installation Note 1)		Floor, Upside-down, Wall, Angle mount	
Motion range (Maximum speed) Note 2)	J1 axis rotation	360° (180°/s)	6.28 rad (3.14 rad/s)
	J2 axis rotation	225° (180°/s)	3.93 rad (3.14 rad/s)
	J3 axis rotation	440° (180°/s)	7.68 rad (3.14 rad/s)
	J4 axis wrist rotation	800° (250°/s)	13.96 rad (4.36 rad/s)
	J5 axis wrist swing	250° (250°/s)	4.36 rad (4.36 rad/s)
	J6 axis wrist rotation	800° (360°/s)	13.96 rad (6.28 rad/s)
Max. load capacity at wrist		45 kg	
Max. load capacity on J3 casing		15 kg	
Allowable load moment at wrist	J4 axis	206 N·m	21 kgf·m
	J5 axis	206 N·m	21 kgf·m
	J6 axis	127 N·m	13 kgf·m
Allowable load inertia at wrist	J4 axis	28 kg·m <sup>2</sup>	286 kgf·cm·s <sup>2</sup>
	J5 axis	28 kg·m <sup>2</sup>	286 kgf·cm·s <sup>2</sup>
	J6 axis	20 kg·m <sup>2</sup>	204 kgf·cm·s <sup>2</sup>
Drive method		Electric servo drive by AC servo motor	
Repeatability		± 0.06 mm	
Mass Note 3)		590 kg	
Explosion protection rating		pxb ib IIB T4 Gb (Gas) (Japan) Class I, II, III Div. I Group C, D, E, F, G T4 (Gas, Dust) (US) II 2 G c Ex ib px IIB T4 Gb (Gas) (EU) II 2 D c Ex ib p IIIB T135°C Db (Dust) (EU)	
Installation environment		Ambient temperature : 0 – 45°C Ambient humidity : Normally 75 %RH or less (No dew, nor frost allowed) Short term Max. 95 %RH or less (within one month) Vibration acceleration : 4.9 m/s <sup>2</sup> (0.5G) or less	

Note 1) In case of the angle mounting, J1 and J2 motion range are restricted.

Note 2) During short distance motions, the axis speed may not reach the maximum value stated.

Note 3) Without controller.

# FANUC CORPORATION

•Headquarters 3580, Shibokusa, Oshino-mura, Minamitsuru-gun  
Yamanashi, 401-0597, JAPAN  
Phone: (+81)555-84-5555 <https://www.fanuc.co.jp/>

•Overseas Affiliated Companies

FANUC America Corporation  
FANUC Europe Corporation, S.A.  
SHANGHAI-FANUC Robotics CO., LTD.  
KOREA FANUC CORPORATION  
TAIWAN FANUC CORPORATION  
FANUC INDIA PRIVATE LIMITED  
FANUC SINGAPORE PTE. LTD.  
FANUC THAI LIMITED  
FANUC MECHATRONICS (MALAYSIA) SDN. BHD.  
PT. FANUC INDONESIA  
FANUC OCEANIA PTY. LIMITED  
FANUC SOUTH AFRICA (PROPRIETARY) LIMITED

Phone: (+1)248-377-7000  
Phone: (+352)727777-1  
Phone: (+86)21-5032-7700  
Phone: (+82)55-278-1200  
Phone: (+886)4-2359-0522  
Phone: (+91)80-2852-0057  
Phone: (+65)6567-8566  
Phone: (+66)2-714-6111  
Phone: (+60)3-3082-1222  
Phone: (+62)21-4584-7285  
Phone: (+61)2-8822-4600  
Phone: (+27)11-392-3610

<https://www.fanucamerica.com/>  
<https://www.fanuc.eu/>  
<https://www.shanghai-fanuc.com.cn/>  
<https://www.fkc.co.kr/>  
<https://www.fanuctaiwan.com.tw/>  
<https://www.fanucindia.com/>  
<https://www.fanuc.com/fsp/>  
<https://www.fanuc.com/ftth/>  
<https://www.fanuc.com/fmm/>  
<https://www.fanuc.com/fin/>  
<https://www.fanucoceania.com.au/>  
<https://fanuc.co.za/>

• All specifications are subject to change without notice.  
• No part of this catalog may be reproduced in any form.  
• The products in this catalog are controlled based on Japan's "Foreign Exchange and Foreign Trade Law". The export from Japan may be subject to an export license by the government of Japan. Further, re-export to another country may be subject to the license of the government of the country from where the product is re-exported. Furthermore, the product may also be controlled by re-export regulations of the United States government. Should you wish to export or re-export these products, please contact FANUC for advice.