

FANUC Robot CR-15*i*A

FANUC Robot CR-35*i*B



Features

FANUC Robot CR-15*i*A / CR-35*i*B are a 15kg / 35kg payload collaborative robots that can work without safety fences.

Collaborative Operation

- This robot and a human operator can work in close proximity without safety fences.
- This robot can work in cooperation with a human operator. (examples: parts assembling, workpiece transfer)
- With Hand Guidance(option), intuitive operation and easy teaching are possible.

Safety Function

- This robot stops safely when it touches a human operator.
- A human operator can move the robot by pushing it after it stops.
- This robot is certified to meet the requirements of international standard ISO 10218-1.

Intelligence and High Reliability

- Latest intelligent functions such as *i*RVision (Integrated vision) and force sensor are available.
- This robot is designed with the same high reliability as conventional robots.

Application Examples



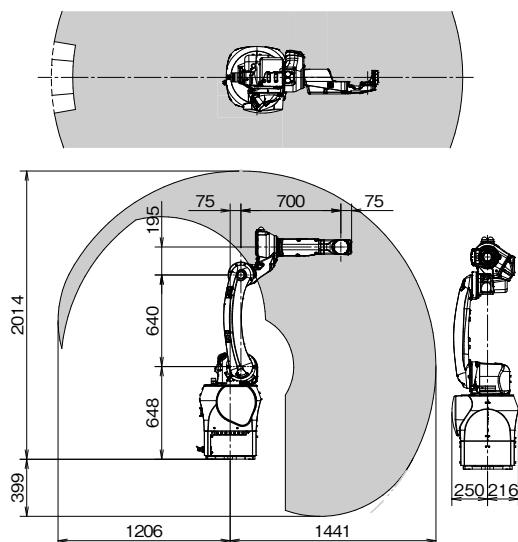
Parts Kitting



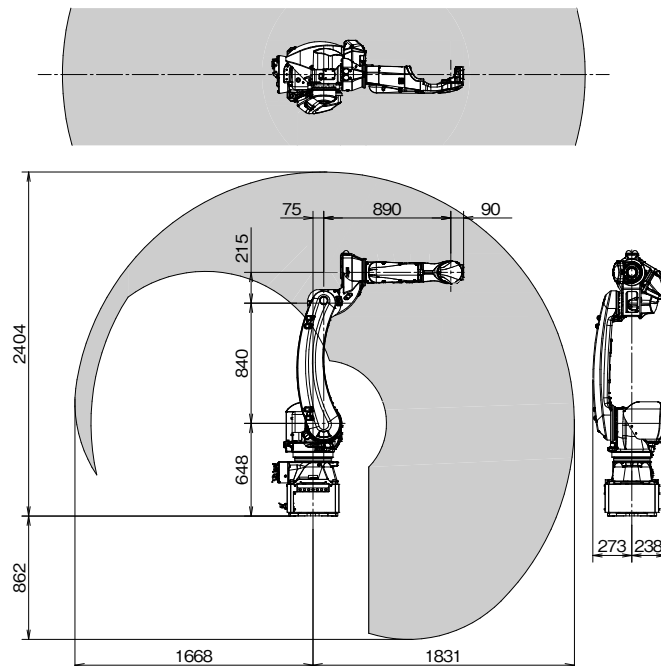
Collaborative Workpieces Transfer

Operating space

CR-15iA



CR-35iB



Specifications

Model		CR-15iA	CR-35iB
Type		6 axes (J1,J2,J3,J4,J5,J6)	
Reach		1441 mm	1831 mm
Installation		Floor, Upside-down, Angle mount	Floor
Motion range (Note 1)	J1 axis	340° / 370° 5.93 rad / 6.46 rad	370° 6.46 rad
	J2 axis	180° 3.14 rad	215° 3.75 rad
	J3 axis	312° 5.45 rad	338° 5.91 rad
	J4 axis	380° 6.63 rad	400° 6.98 rad
	J5 axis	280° 4.89 rad	280° 4.89 rad
	J6 axis	900° 15.71 rad	900° 15.71 rad
Max load capacity at wrist		15 kg	35 kg
Maximum speed (Note 2)		800 mm/s (Note 3) (Max 1500 mm/s (Note 4))	750 mm/s (Note 3, Note 4)
Allowable load moment at wrist	J4 axis	26.0 N·m	110.0 N·m
	J5 axis	26.0 N·m	110.0 N·m
	J6 axis	11.0 N·m	60.0 N·m
Allowable load inertia at wrist	J4 axis	0.90 kg·m ²	4.00 kg·m ²
	J5 axis	0.90 kg·m ²	4.00 kg·m ²
	J6 axis	0.30 kg·m ²	1.50 kg·m ²
Repeatability(Note 5)		± 0.02 mm	± 0.03 mm
Mass (Note 6)		255 kg	375 kg
Installation environment		Ambient temperature : 0 to 45°C Ambient humidity : Normally 75%RH or less (No dew nor frost allowed), Short term (within one month) 95%RH or less (No dew nor frost allowed)	

Note 1) In case of angle mounting, J1 and J2 axis motion range are restricted.

Note 2) During short distance motions, the axis speed may not reach the maximum value stated.

Note 3) It is necessary to set a motion speed according to risk assessment of system.

Note 4) If the area is monitored by a safety sensor (located separately).

Note 5) Compliant with ISO9283.

Note 6) Without controller.

FANUC CORPORATION

● Overseas Affiliated Companies
 FANUC America Corporation
 FANUC Europe Corporation, S.A.
 SHANGHAI-FANUC Robotics CO., LTD.
 KOREA FANUC CORPORATION
 TAIWAN FANUC CORPORATION
 FANUC INDIA PRIVATE LIMITED
 FANUC SINGAPORE PTE. LTD.
 FANUC THAI LIMITED
 FANUC MECHATRONICS (MALAYSIA) SDN. BHD.
 PT. FANUC INDONESIA
 FANUC OCEANIA PTY. LIMITED
 FANUC SOUTH AFRICA (PROPRIETARY) LIMITED

Phone: (+1)248-377-7000
 Phone: (+352)727777-1
 Phone: (+86)21-5032-7700
 Phone: (+82)55-278-1200
 Phone: (+886)4-2359-0522
 Phone: (+91)80-2852-0057
 Phone: (+65)6567-8566
 Phone: (+66)2-714-6111
 Phone: (+60)3-3082-1222
 Phone: (+62)21-4584-7285
 Phone: (+61)2-8822-4600
 Phone: (+27)11-392-3610

<https://www.fanucamerica.com/>
<https://www.fanuc.eu/>
<https://www.shanghai-fanuc.com.cn/>
<https://www.fkc.co.kr/>
<https://www.fanuctaiwan.com.tw/>
<https://www.fanucindia.com/>
<https://www.fanuc.com/isp/>
<https://www.fanuc.com/fth/>
<https://www.fanuc.com/fmm/>
<https://www.fanuc.com/fim/>
<https://www.fanucoceania.com.au/>
<https://fanuc.co.za/>

● Headquarters 3580, Shibokusa, Oshino-mura, Minamitsuru-gun
 Yamanashi, 401-0597, JAPAN
 Phone: (+81)555-84-5555 <https://www.fanuc.co.jp/>

● All specifications are subject to change without notice.
 ● No part of this catalog may be reproduced in any form.
 ● The products in this catalog are controlled based on Japan's 'Foreign Exchange and Foreign Trade Law'. The export from Japan may be subject to an export license by the government of Japan. Further, re-export to another country may be subject to the license of the government of the country from where the product is re-exported. Furthermore, the product may also be controlled by re-export regulations of the United States government. Should you wish to export or re-export these products, please contact FANUC for advice.

© FANUC CORPORATION, 2018
 RCR15iA(E)-03, 2022.3, Printed in Japan