

FANUC Robot M-800iA/60

FEATURES

The FANUC Robot M-800iA/60 is a high accuracy robot with 60kg payload capacity.

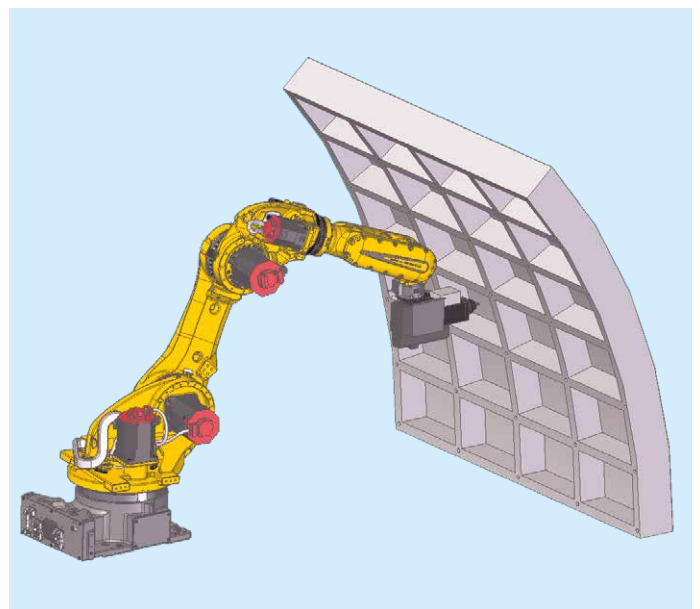
- This robot has significantly enhanced rigidity compared to the conventional robots in the same class by the mechanical design with emphasis on the rigidity.
- *i*RCalibration Signature, a highly accuracy calibration technology, compensates for manufacturing deviations from design values and mechanical torsion due to gravity, etc. to provide higher absolute position accuracy.
- FANUC's new motion control technology has significantly enhanced the circular and linear path accuracy to be within $\pm 0.1\text{mm}$.
- This robot is ideal for the applications that require high path accuracy, such as 3D laser cutting and water jet cutting that take advantage of the 6 degrees of freedom of the robot.



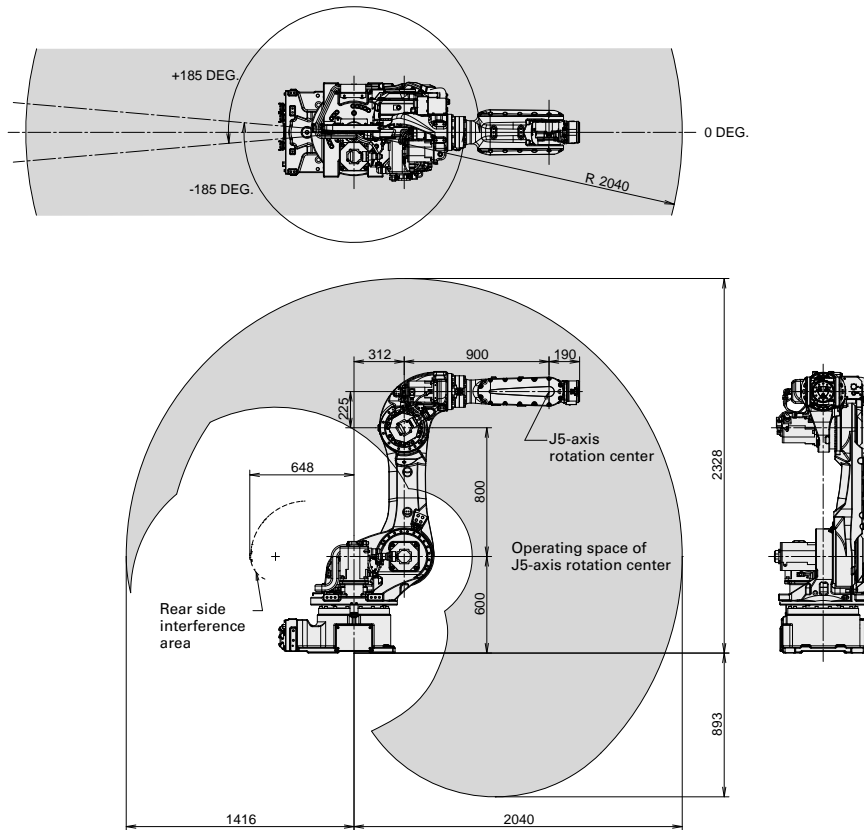
Application Examples



High Accuracy Laser Cutting



High Accuracy Drilling System



Specifications

Model		M-800iA/60	
Controlled axes		6 axes (J1, J2, J3, J4, J5, J6)	
Reach		2040 mm	
Installation		Floor	
Motion range (Maximum speed) (Note 1)	J1 axis	370° (150°/s)	6.46 rad (2.62 rad/s)
	J2 axis	225° (150°/s)	3.93 rad (2.62 rad/s)
	J3 axis	340° (150°/s)	5.93 rad (2.62 rad/s)
	J4 axis	720° (260°/s)	12.6 rad (4.54 rad/s)
	J5 axis	250° (260°/s)	4.36 rad (4.54 rad/s)
	J6 axis	720° (400°/s)	12.6 rad (6.98 rad/s)
Max. load capacity at wrist		60 kg	5/3 × (A) + (B) ≤ 35 kg
Max. load capacity on J3 arm		21 kg (A)	
Max. load capacity on J3 casing		35 kg (B)	
Allowable load moment at wrist	J4 axis	210 Nm	
	J5 axis	210 Nm	
	J6 axis	130 Nm	
Allowable load inertia at wrist	J4 axis	30 kg·m ²	
	J5 axis	30 kg·m ²	
	J6 axis	20 kg·m ²	
Repeatability		± 0.015 mm	
Mass (Note 2)		820 kg	
Installation environment		Ambient temperature : 0 to 45°C Ambient humidity : Normally 75%RH or less (No dew, nor frost allowed) Short term 95%RH or less (within one month) Vibration acceleration : 4.9m/s ² (0.5G) or less	

Note 1) During short distance motions, the axis speed may not reach the maximum value stated.

Note 2) Without controller.

FANUC CORPORATION

•Headquarters 3580, Shibokusa, Oshino-mura, Minamitsuru-gun
Yamanashi, 401-0597, JAPAN
Phone: (+81)555-84-5555 <https://www.fanuc.co.jp/>

- Overseas Affiliated Companies
- FANUC America Corporation
- FANUC Europe Corporation, S.A.
- SHANGHAI-FANUC Robotics CO., LTD.
- KOREA FANUC CORPORATION
- TAIWAN FANUC CORPORATION
- FANUC INDIA PRIVATE LIMITED
- FANUC SINGAPORE PTE. LTD.
- FANUC THAI LIMITED
- FANUC MECHATRONICS (MALAYSIA) SDN. BHD.
- PT. FANUC INDONESIA
- FANUC OCEANIA PTY. LIMITED
- FANUC SOUTH AFRICA (PROPRIETARY) LIMITED

Phone: (+1)248-377-7000
Phone: (+352)727777-1
Phone: (+86)21-5032-7700
Phone: (+82)55-278-1200
Phone: (+886)4-2359-0522
Phone: (+91)80-2852-0057
Phone: (+65)6567-8566
Phone: (+66)2-714-6111
Phone: (+60)3-3082-1222
Phone: (+62)21-4584-7285
Phone: (+61)2-8822-4600
Phone: (+27)11-392-3610

<https://www.fanucamerica.com/>
<https://www.fanuc.eu/>
<https://www.shanghai-fanuc.com.cn/>
<https://www.fkc.co.kr/>
<https://www.fanuctaiwan.com.tw/>
<https://www.fanucindia.com/>
<https://www.fanuc.com/fsp/>
<https://www.fanuc.com/fth/>
<https://www.fanuc.com/fmm/>
<https://www.fanuc.com/fin/>
<https://www.fanucoceania.com.au/>
<https://fanuc.co.za/>

- All specifications are subject to change without notice.
- No part of this catalog may be reproduced in any form.
- The products in this catalog are controlled based on Japan's "Foreign Exchange and Foreign Trade Law". The export from Japan may be subject to an export license by the government of Japan. Further, re-export to another country may be subject to the license of the government of the country from where the product is re-exported. Furthermore, the product may also be controlled by re-export regulations of the United States government. Should you wish to export or re-export these products, please contact FANUC for advice.