

FANUC Robot P-250iB

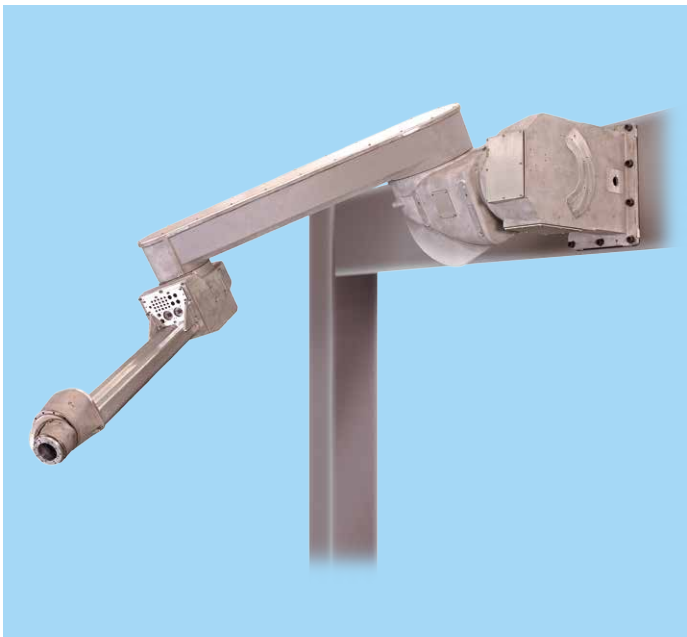


FEATURES

FANUC Robot P-250iB is a large size paint robot with 15kg payload capacity.

- Long reach of 2800mm, variety of mounting types, and right or left side of offset arm enable flexible layout and compact spraybooth.
- The ability to integrate process components in the inner arm in close proximity to the applicator can reduce required cleaning time and amount of wasted paint materials at the time of color change.
- Auxiliary motors for paint process are integrated in the outer arm.(Option, maximum 2 axes)
- Offset hollow wrist structure offers easy integration of process hoses and enables entering into narrow space to paint.
- Adequate load capacity at wrist supports a variety size of applicators.

Application Example



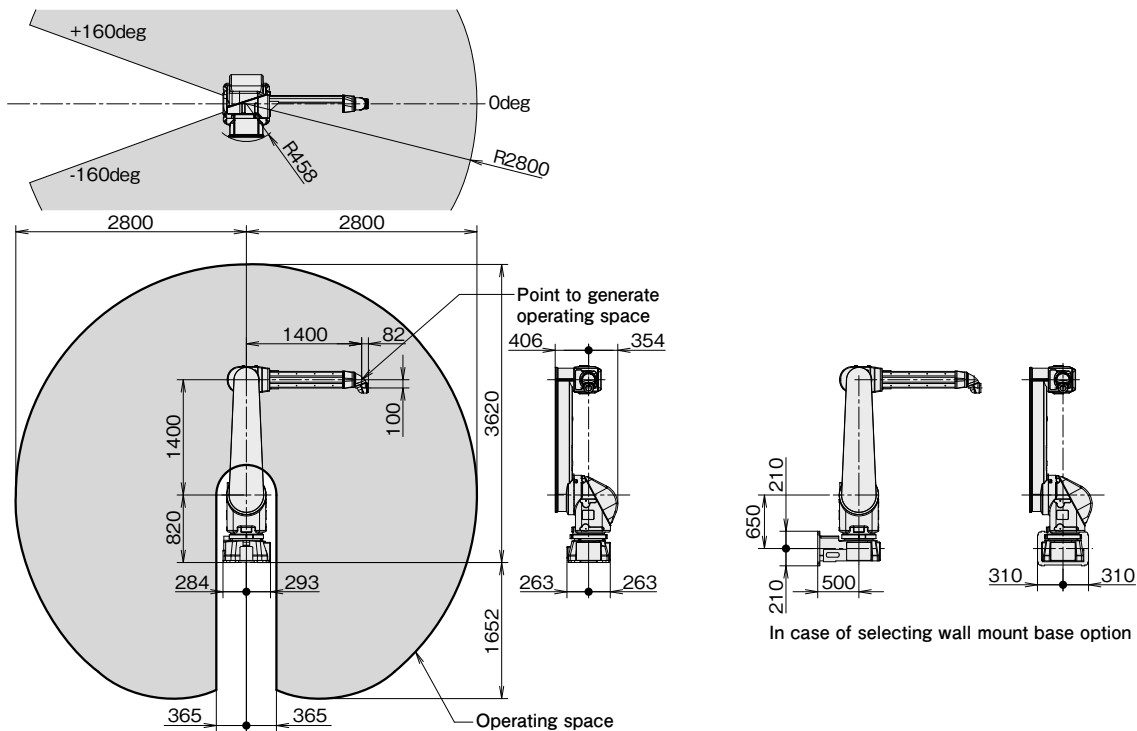
Wall Mount Base Option



Automotive Large Part Painting System

Operating space

P-250iB



Specifications

Model		P-250iB	
Type		Articulated Type	
Controlled axes		6 axes (J1, J2, J3, J4, J5, J6)	
Reach		2800 mm	
Installation		Floor, Upside-down, Shelf	Wall, Angle
Motion range (Maximum speed) Note 1)	J1 axis rotation	320°(160°/s) 5.59 rad (2.79 rad/s)	320°(100°/s) 5.59 rad (1.75 rad/s)
	J2 axis rotation	280°(160°/s)	4.89 rad (2.79 rad/s)
	J3 axis rotation	330°(160°/s)	5.76 rad (2.79 rad/s)
	J4 axis wrist rotation	1080°(375°/s)	18.85 rad (6.54 rad/s)
	J5 axis wrist swing	1080°(430°/s)	18.85 rad (7.50 rad/s)
	J6 axis wrist rotation	1080°(545°/s)	18.85 rad (9.51 rad/s)
Max. load capacity at wrist		15 kg	
Max. load capacity on outer arm		15 kg	
Max. load capacity on inner arm		15 kg	
Allowable load moment at wrist	J4 axis	65 N·m 6.6 kgf·m	
	J5 axis	55 N·m 5.6 kgf·m	
	J6 axis	7.4 N·m 0.76 kgf·m	
Allowable load inertia at wrist	J4 axis	3.0 kg·m ² 30.6 kgf·cm·s ²	
	J5 axis	2.1 kg·m ² 21.4 kgf·cm·s ²	
	J6 axis	0.07 kg·m ² 0.71 kgf·cm·s ²	
Drive method		Electric servo drive by AC servo motor	
Repeatability		± 0.2 mm	
Mass (Note 2)		530 kg	500kg
Installation environment		Ambient temperature	: 0 to 45°C
		Ambient humidity	: Normally 75 %RH or less (No dew nor frost allowed) Short term Max.95 %RH or less (within one month)
		Vibration acceleration	: 4.9 m/s ² (0.5G) or less

Note 1) During short distance motions, the axis speed may not reach the maximum value stated.

Note 2) Without controller.

FANUC CORPORATION

•Headquarters Oshino-mura, Yamanashi 401-0597, Japan
Phone: (+81)555-84-5555 <https://www.fanuc.co.jp/>

•Overseas Affiliated Companies
FANUC America Corporation
FANUC Europe Corporation, S.A.
SHANGHAI-FANUC Robotics CO., LTD.
KOREA FANUC CORPORATION
TAIWAN FANUC CORPORATION
FANUC INDIA PRIVATE LIMITED
FANUC SINGAPORE PTE. LTD.
FANUC THAI LIMITED
FANUC MECHATRONICS (MALAYSIA) SDN. BHD.
PT. FANUC INDONESIA
FANUC OCEANIA PTY. LIMITED
FANUC SOUTH AFRICA (PROPRIETARY) LIMITED

Phone: (+1)248-377-7000
Phone: (+352)727777-1
Phone: (+86)21-5032-7700
Phone: (+82)55-278-1200
Phone: (+886)4-2359-0522
Phone: (+91)80-2852-0057
Phone: (+65)6567-8566
Phone: (+66)2-714-6111
Phone: (+60)3-3082-1222
Phone: (+62)21-4584-7285
Phone: (+61)2-8822-4600
Phone: (+27)11-392-3610

<https://www.fanucamerica.com/>
<https://www.fanuc.eu/>
<https://www.shanghai-fanuc.com.cn/>
<https://www.fkc.co.kr/>
<https://www.fanuctaiwan.com.tw/>
<https://www.fanucindia.com/>
<https://www.fanuc.com/fsp/>
<https://www.fanuc.com/fth/>
<https://www.fanuc.com/fmm/>
<https://www.fanuc.com/fin/>
<https://www.fanucoceania.com.au/>
<https://fanuc.co.za/>

•All specifications are subject to change without notice.
•No part of this catalog may be reproduced in any form.
•The products in this catalog are controlled based on Japan's "Foreign Exchange and Foreign Trade Law". The export from Japan may be subject to an export license by the government of Japan. Further, re-export to another country may be subject to the license of the government of the country from where the product is re-exported. Furthermore, the product may also be controlled by re-export regulations of the United States government. Should you wish to export or re-export these products, please contact FANUC for advice.

© FANUC CORPORATION, 2016
RP-250iB(E)-01a, 2021.9, Printed in Japan